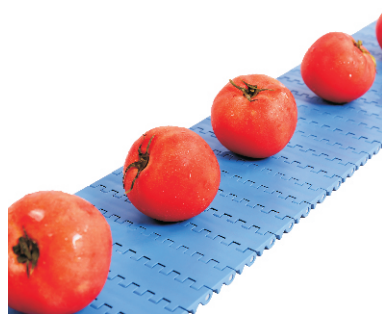
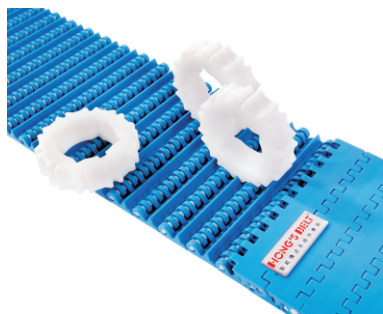
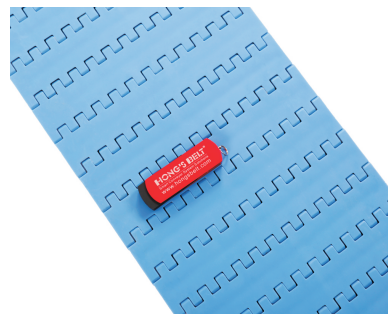
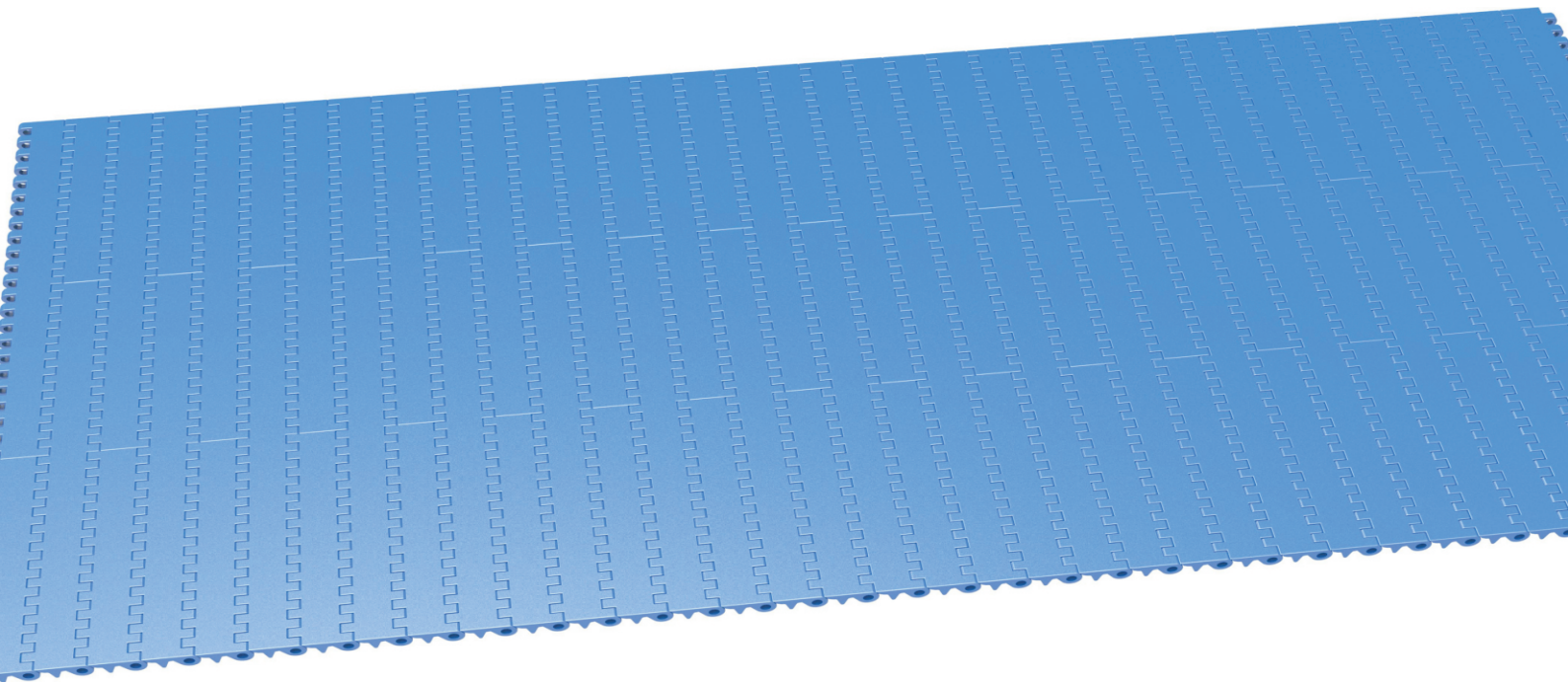
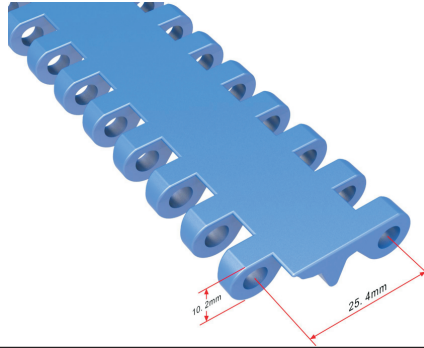


## HS-200A-HD Technical Data Sheet



Pitch: 25.4mm  
 Minimum Width: 152mm  
 Open Area: 0%  
 Approved: FDA  
 Rod: Ø5.3mm  
 Flight: Yes  
 Side Guard: Yes  
 Curve: No



## Data

Belt Material	Belt Strength		Curve	Temperature		Belt Weight (Kg/M <sup>2</sup> )
	Straight			°C (min.)	°C (max.)	
	Kg/M(BW)	N/M(BW)				
Polypropylene	1155	11550	--	1	100	5.6
Polyethylene	1105	11050	--	-60	60	5.8
Acetal	1520	15200	--	-40	80	8.9
Nylon	1310	13100	--	1	180	6.8

BW – Belt Width

## Color Table

Polypropylene					Polyethylene					Acetal					Nylon				
W	G	N	DB	B	W	G	N	DB	B	W	G	N	DB	B	W	G	N	DB	B
●	●						●			●				●				●	

W-White, G-Gray, N-Nature, DB-Darkbrown, B-Blue

## Friction Table

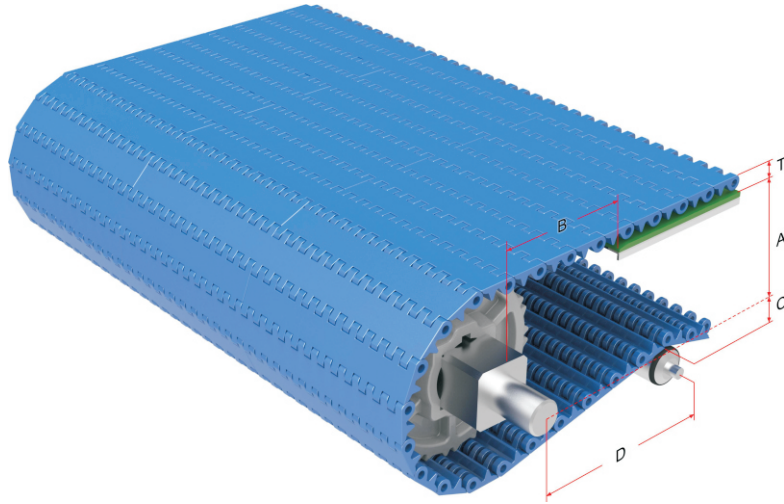
Belt Material	Friction Wear strips & Products							
	UHMW	HDPE	Steel	Glass	SUS	Plastic	Cardboard	Aluminum
Polypropylene	0.32	0.24	0.15	0.09	0.13	0.08	0.15	0.25
Polyethylene	0.13	0.11	0.26	0.19	0.31	0.16	0.21	0.41
Acetal	0.11	0.09	0.27	0.16	0.26	0.15	0.19	0.28
Nylon	0.18	0.13	0.25	0.16	0.26	0.16	0.19	0.27

SUS – Stainless Steel

## Equivalent type with other Brand

Brand Name	Intralox	UNI	Rexnord	MCC	Habasit	KVP
Series & Type	1600	SNB	1000		M2400	610
	1650	CNB	1010		M2500	208CL
	200	OPB	7700		M2600	20835
	880/850	L-SNB	6390			13610

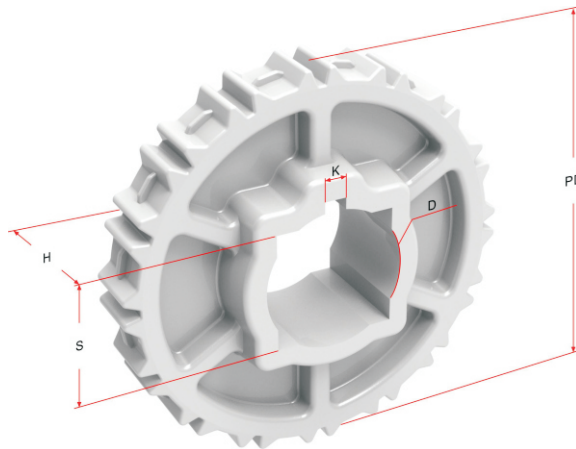
The above content is only for reference.



**Conveyor Frame Dimensions**

**Unit : mm**

No. Teeth	A ( Min.)	B ( Min.)	C ( Max.)	D ( Min.)	T
8	25.4	40.5	24.3	200	10.2
10	34.7	49.8	33.6	200	
12	42.1	57.2	41	200	
16	58.6	73.7	57.5	200	
20	74.9	90	73.8	200	



**Sprocket Dimensions**

**Unit: mm**

No. Teeth	PD	S	D	H	K
8	61	25.5	25.4/25.5/30.5	22	6X6
10	79.6	38.5/40.5	25.4/25.5/45.5	22	7X7
12	94.5	38.5/40.5	19/25.4/25.5/30.5/31.7/45.5	38	7X7
16	127.4	38.5/40.5	25.4/30.5/45.5	34	7X7
20	160	38.5/40.5	25.4/45.5	38	7X7